

VA15, VA3X

Vision Appliance



Key Features

- Compact DIN mountable device
- Single or dual camera inspections
- Suitable for tight-fit camera applications
- Pre-installed applications for all levels of expertise
- Image resolutions to 1600 x 1200
- Quick connect/disconnect wiring

Vision Capabilities

- Positioning
- Identification
- Verification
- Measurement
- Flaw Detection

Overview

Compact Vision Appliances for Dual Camera Applications

Teledyne DALSA's VA15 and VA3X Vision Appliances provide automated optical inspection solutions for applications requiring one or two views of a part. Designed for easy setup and integration, Teledyne DALSA Vision Appliances offer manufacturers a cost-effective and practical means of automating quality control on the factory floor.

The VA15 and VA3X products are fully equipped with directly accessible industrial grade inputs and outputs that are wired using removable screw terminal connectors. A visible LED light is coupled to each connection to reflect the active state of the signal. Flexible I/O, combined with choice of camera resolution and software user interface make these vision appliances well suited to tackle a wide range of inspection tasks.

Specifications

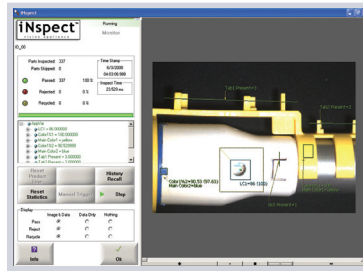
	VA15	VA30	VA31
Program Memory	128 MB	512 MB	512 MB
Storage Memory	64 MB	128 MB	4 GB
Image Size min.	640 x 480	640 x 480	640 x 480
Image Size max.	640 x 480	1600 x 1200	1600 x 1200
# Cameras	1 Area	2 Area	2 Area
Communication			
- Ethernet	10/100/1000	10/100/1000	10/100/1000
- USB	2 x 1.1	2 x 2.0	2 x 2.0
- Serial	RS-232	RS-232	RS-232
- Visual	26 LEDs	26 LEDs	26 LEDs
I/O	24V 10in/8out	24V 10in/8out	24V 10in/8out
User Interface	iNspect Lite	iNspect	iNspect/Sherlock
Power	24V @ 1A	24V @ 1A	24V @ 1A
Operating	0-40°C ambient 5-90% humidity	0-40°C ambient 5-90% humidity	0-40°C ambient 5-90% humidity
Dimensions	9.5 x 16 x 5	9.5 x 16 x 5	9.5 x 16 x 5
Compliance	CE	CE	CE

VA15, VA3X

Vision Appliance

The VA15 and VA3X products are pre-loaded with two distinct application interfaces to cater to the differing needs and experiences of end users. Each offers a comprehensive suite of tools and capabilities to satisfy a variety of applications and industries.

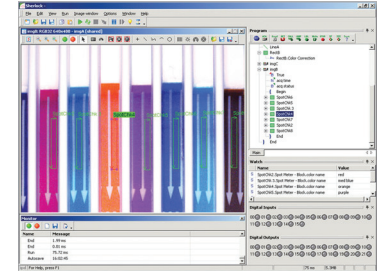
Both software interfaces support standard factory protocols, such as Modbus and Ethernet/IP, for connecting with complementary factory equipment.



Designed for All Users

iInspect software allows users to setup and deploy vision solutions with little or no prior experience.

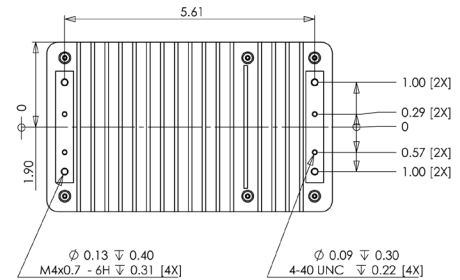
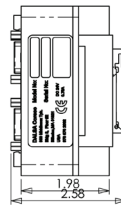
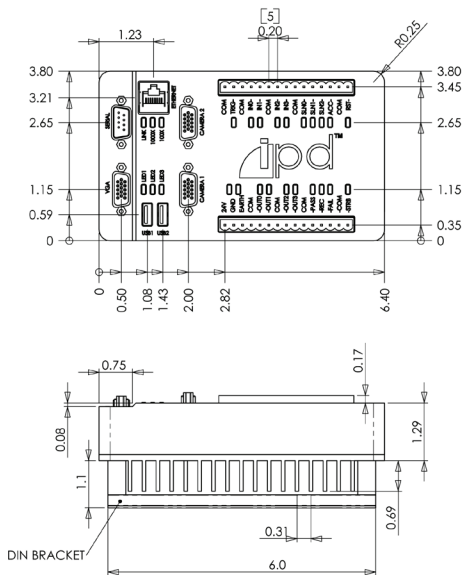
iInspect is available in various languages such as English, Chinese, French, German, Italian Japanese and Spanish.



Designed for All Users

Sherlock software offers experienced integrators flexibility and advanced capabilities to tackle the most demanding applications.

Sherlock has been deployed in thousands of applications worldwide.



Rear view without DIN Bracket

VA15, VA3X Dimensions

All dimensions in inches

www.teledynedalsa.com

Americas

Boston, USA
+1 978-670-2000
sales.americas@teledynedalsa.com

Europe

Munich, Germany
+49 8142-46770
sales.europe@teledynedalsa.com

Asia Pacific

Tokyo, Japan
+81 3-5960-6353
sales.asia@teledynedalsa.com

Shanghai, China
+86 21-3368-0027
sales.asia@teledynedalsa.com