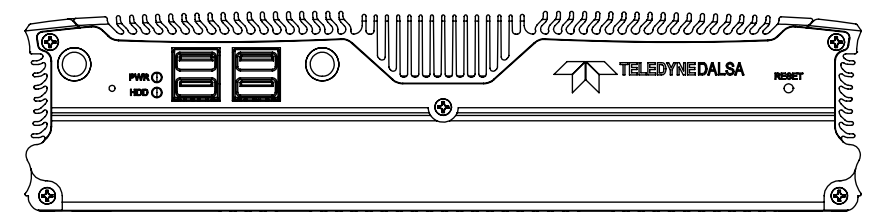
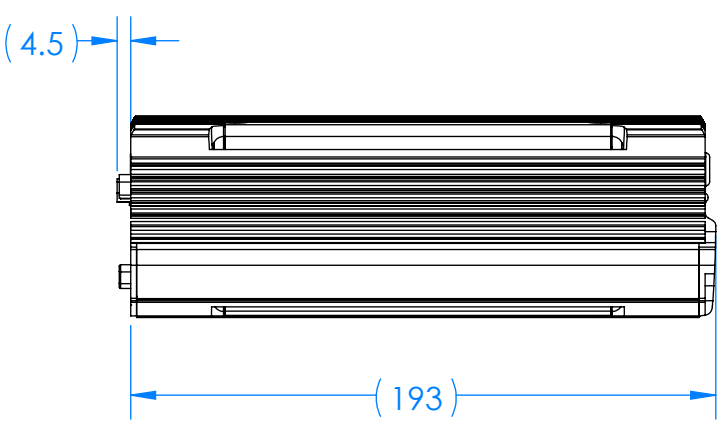
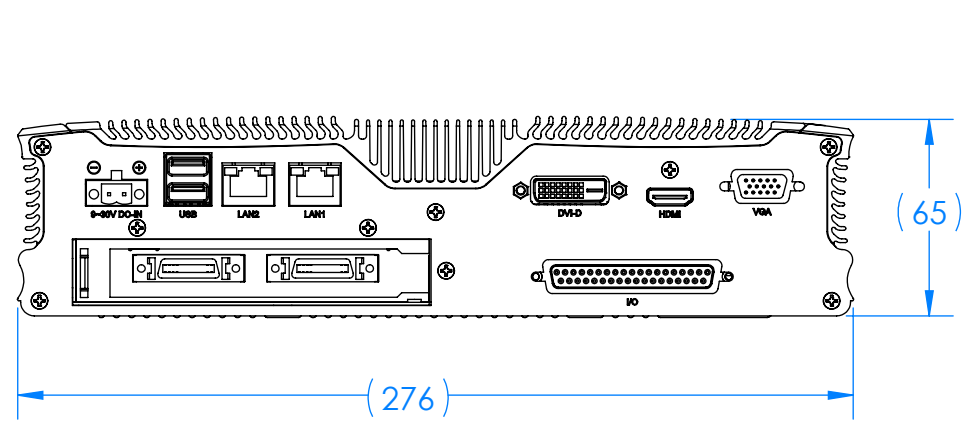


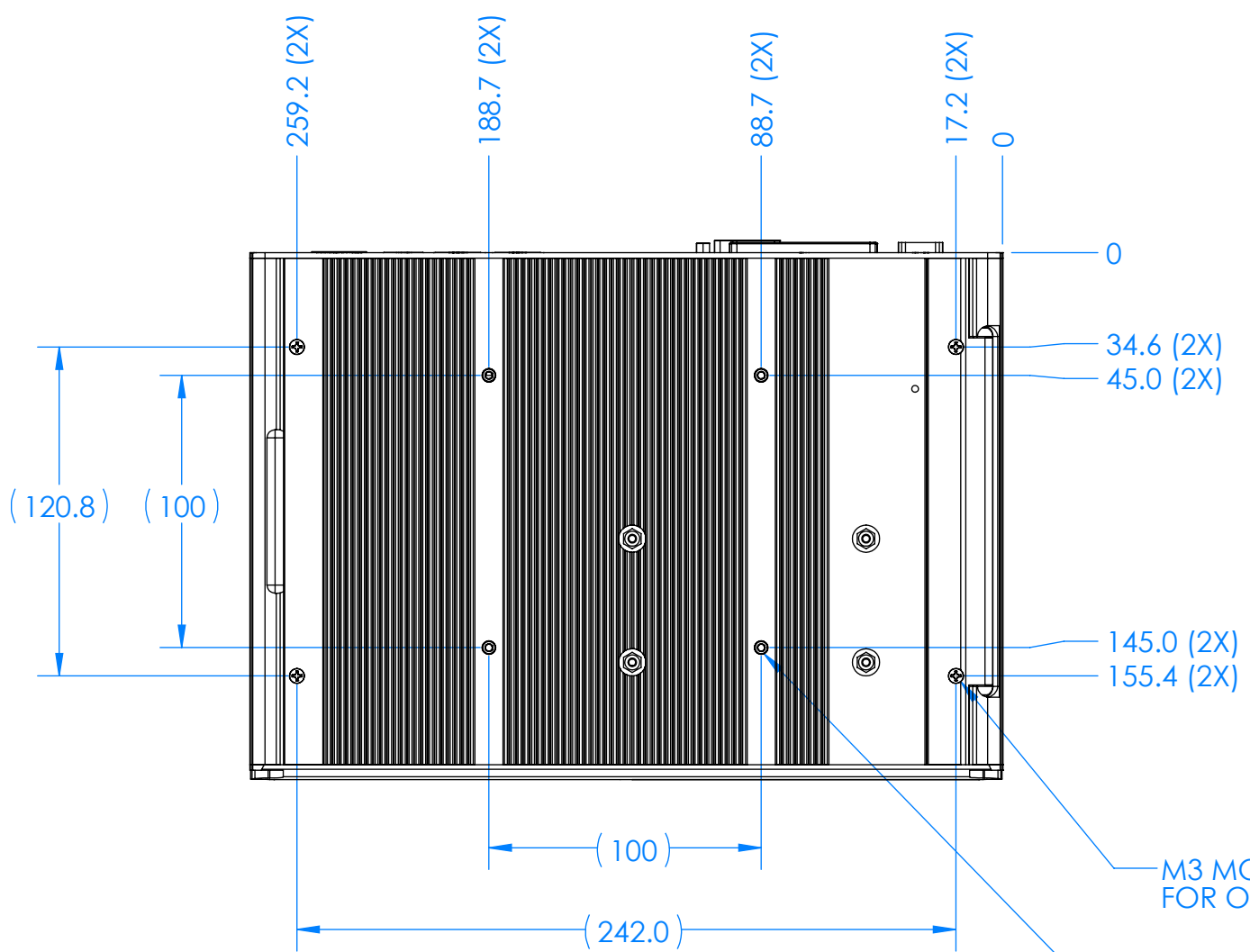
8 7 6 5 4 3 2 1

D



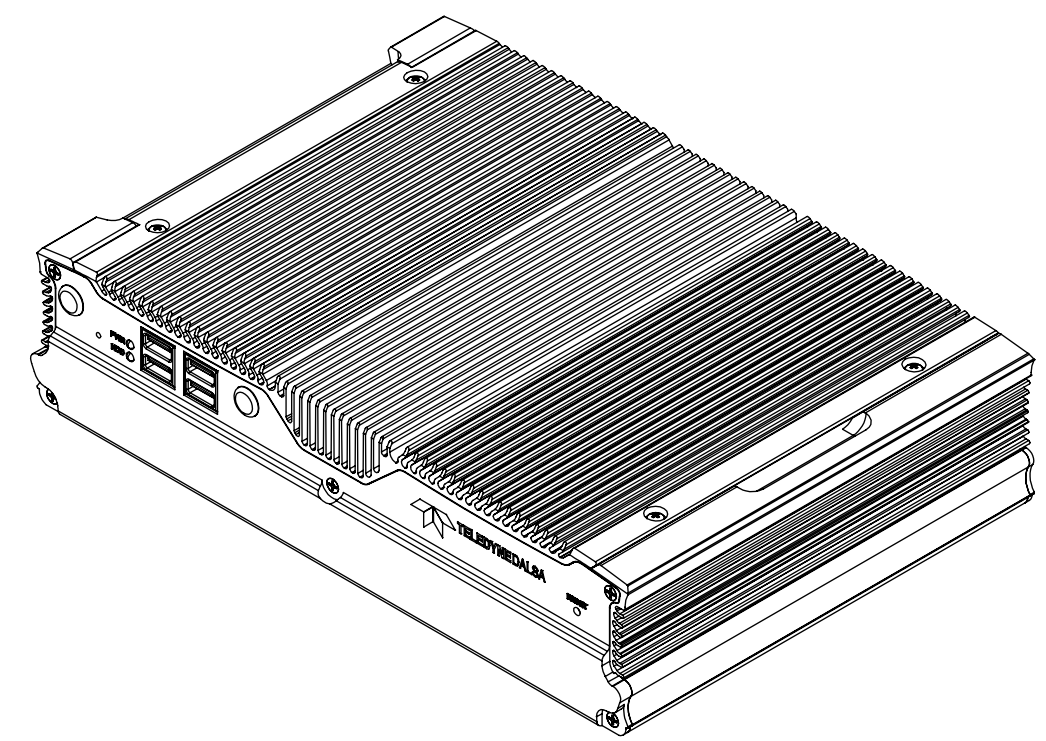
D

C



C

B



B

A

M3 MOUNTING HOLES FOR OPTIONAL PANEL BRACKET (4X)

M3 MOUNTING HOLES FOR DIN BRACKET (4X)

**TELEDYNE DALSA**  
Everywhereyoulook™  
700 Technology Park Drive  
Billerica, MA 01821, USA  
T: 978 670 2000 F: 978 670 2010

UNLESS OTHERWISE SPECIFIED:  
DIMENSIONS ARE IN MM  
TOLERANCES:  
ANGULAR: ± 0.5 degrees  
DECIMAL .X: ± 0.15  
.XX: ± 0.05

**GEVA 3000 (CAMERA LINK)**  
**CUSTOMER PRINT**

<b>USE AND DISCLOSURE OF DATA:</b> The information contained herein is classified as EAR99 under the U.S. Export Administration Regulations. Export, reexport or diversion contrary to U.S. law is prohibited.	THIRD ANGLE PROJECTION	SIZE <b>B</b>	DWG. NO. 216-00012-00LF	REV <b>A1</b>
	DRAWN: 10/22/2013	SCALE: 1:2	SHEET 1 OF 1	

8 7 6 5 4 3 2 1