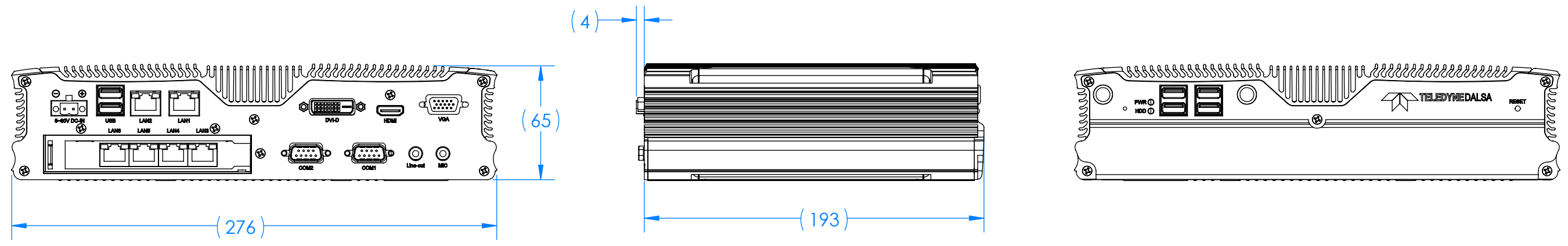


8 7 6 5 4 3 2 1

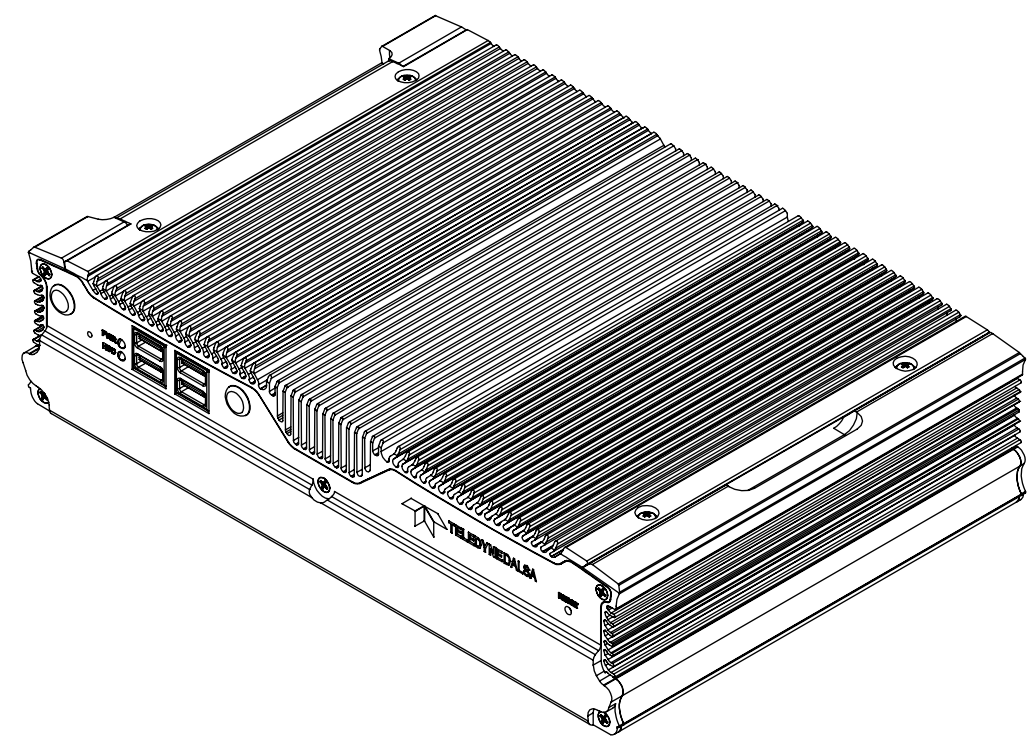
D

D



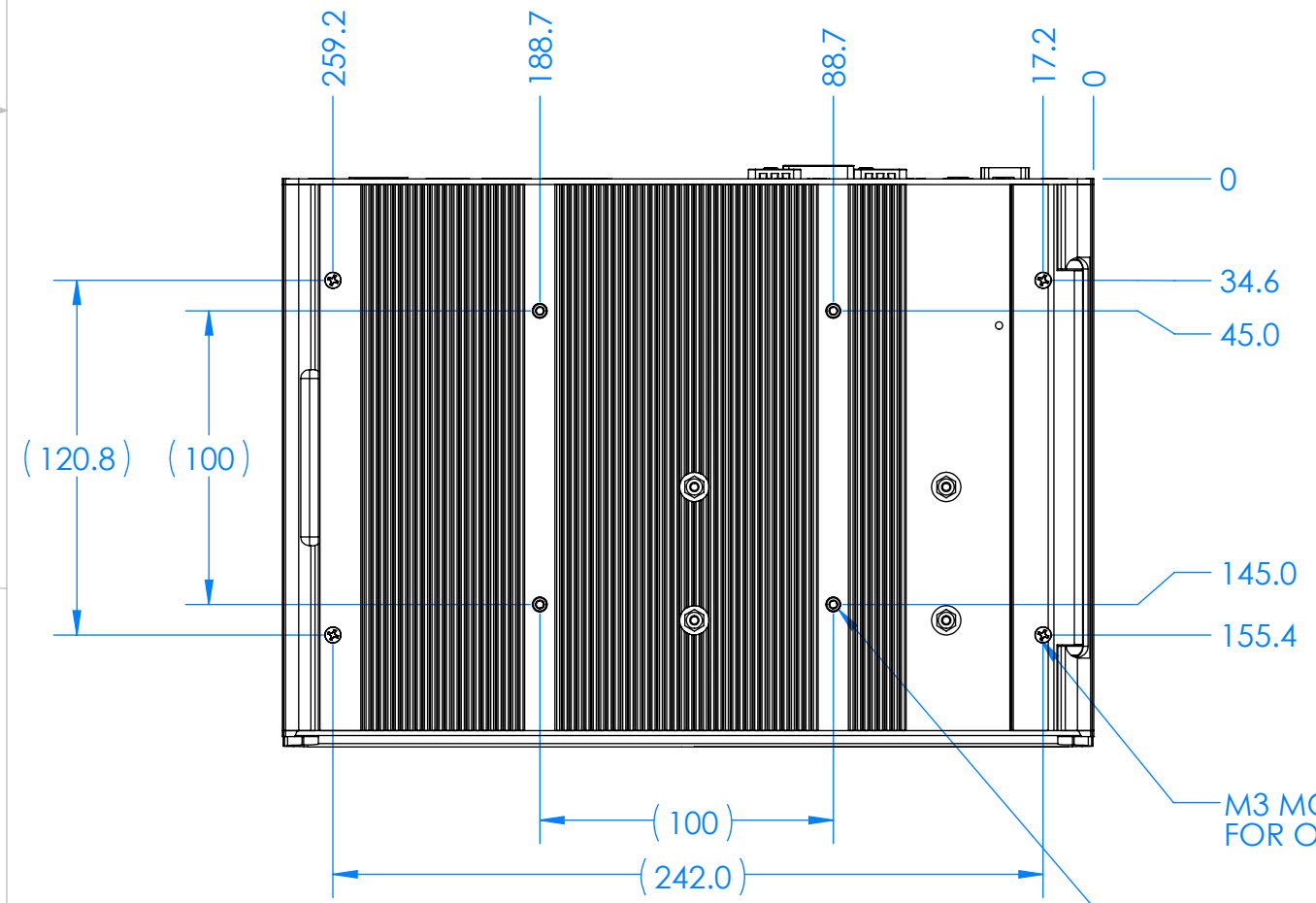
C

C



B

B



M3 MOUNTING HOLES FOR OPTIONAL PANEL BRACKET (4X)

M3 MOUNTING HOLES FOR DIN BRACKET (4X)

A

A

TELEDYNE DALSA
Everywhereyoulook™

700 Technology Park Drive
Billerica, MA 01821, USA
T: 978 670 2000 F: 978 670 2010

UNLESS OTHERWISE SPECIFIED:
DIMENSIONS ARE IN MM
TOLERANCES:
ANGULAR: ± 0.5 degrees
DECIMAL .X: ±0.15
.XX: ±0.05

GEVA 3000
CUSTOMER PRINT

USE AND DISCLOSURE OF DATA:
The information contained herein is classified as EAR99 under the U.S. Export Administration Regulations. Export, reexport or diversion contrary to U.S. law is prohibited.

THIRD ANGLE PROJECTION

SIZE **B** DWG. NO. 216-00011-00LF REV **A1**

DRAWN: 10/22/2013 SCALE: 1:2 SHEET 1 OF 1

8 7 6 5 4 3 2 1