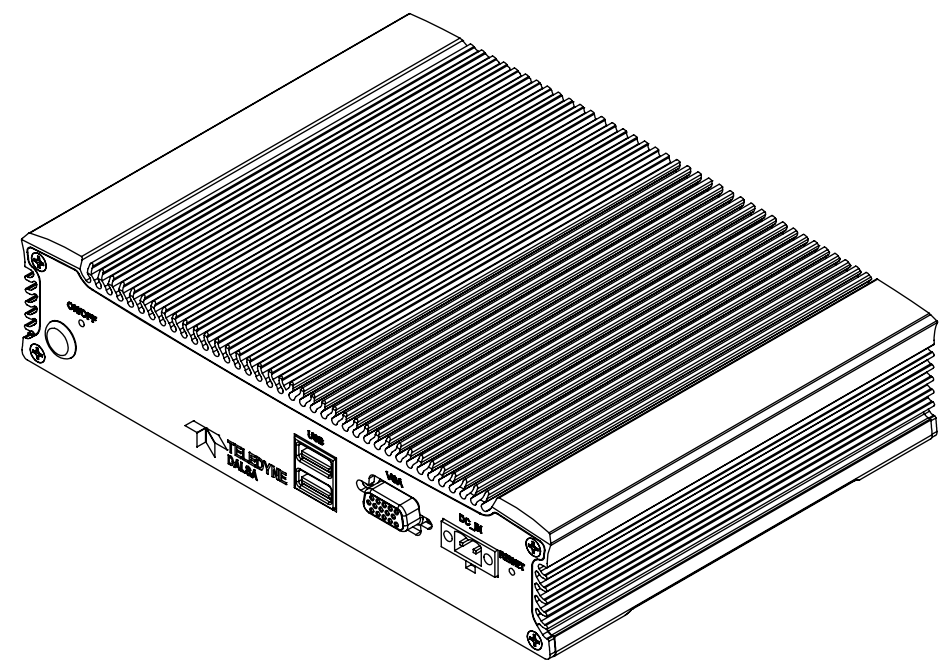
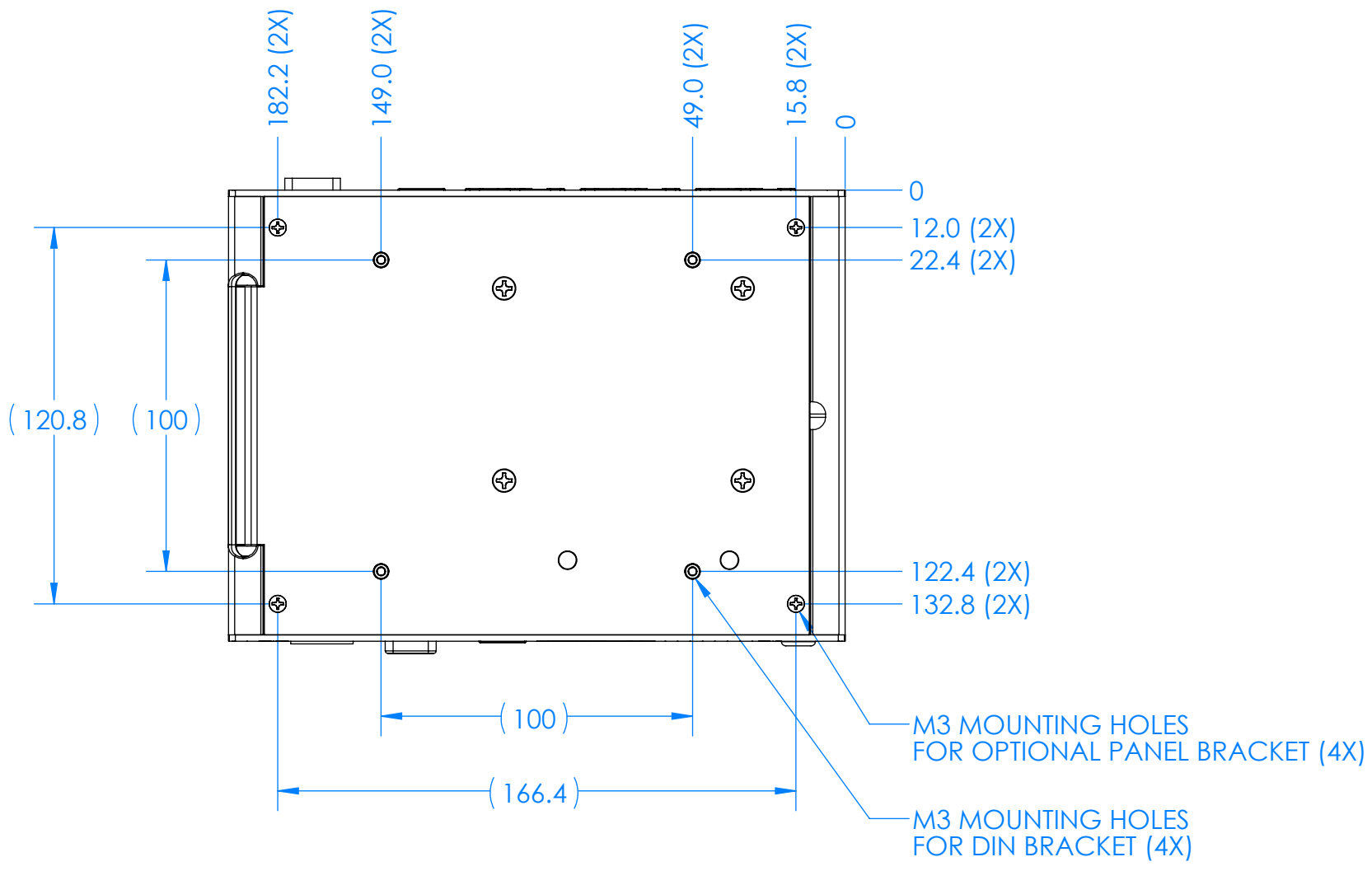
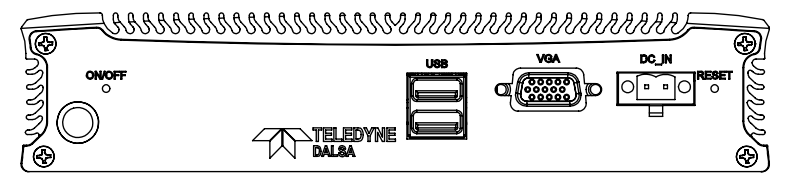
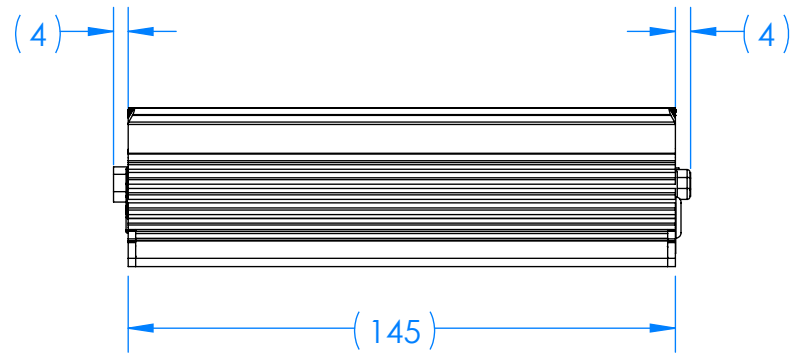
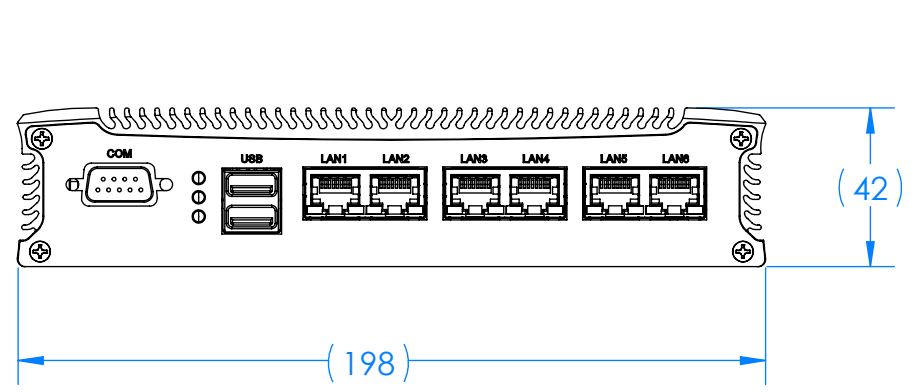


8 7 6 5 4 3 2 1

D
C
B
A

D
C
B
A



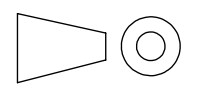
TELEDYNE DALSA
Everywhereyoulook™
700 Technology Park Drive
Billerica, MA 01821, USA
T: 978 670 2000 F: 978 670 2010

UNLESS OTHERWISE SPECIFIED:
DIMENSIONS ARE IN MM
TOLERANCES:
ANGULAR: ± 0.5 degrees
DECIMAL .X: ±0.15
.XX: ±0.05

GEVA 300 v02
CUSTOMER PRINT

USE AND DISCLOSURE OF DATA:
The information contained herein is classified as EAR99 under the U.S. Export Administration Regulations. Export, reexport or diversion contrary to U.S. law is prohibited.

THIRD ANGLE PROJECTION



SIZE **B**

DWG. NO. 216-00010-00LF

REV **A1**

DRAWN: 10/22/2013

SCALE: 1:2

SHEET 1 OF 1

8 7 6 5 4 3 2 1