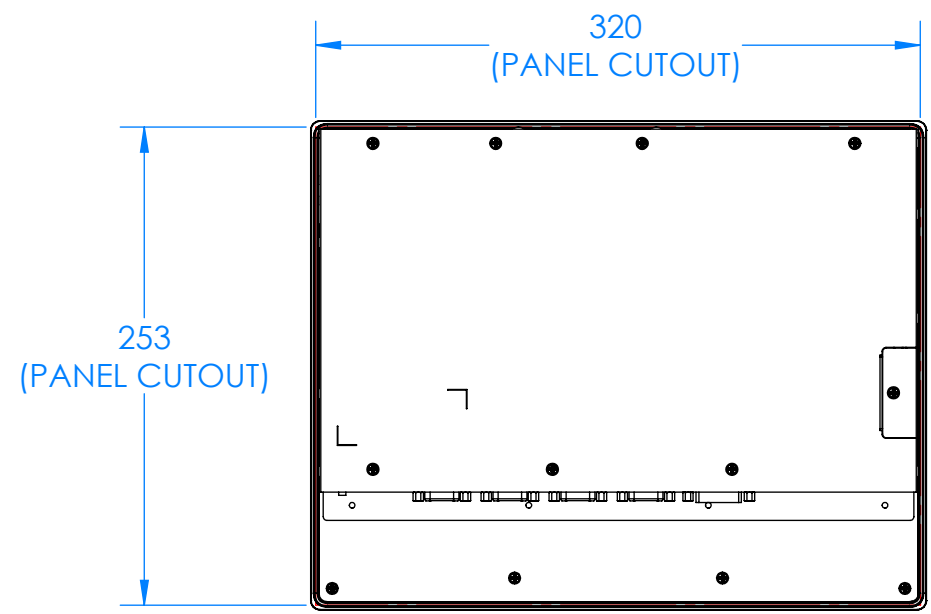
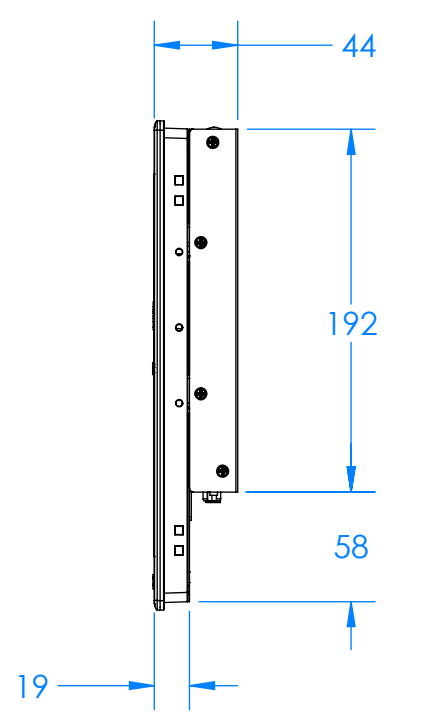
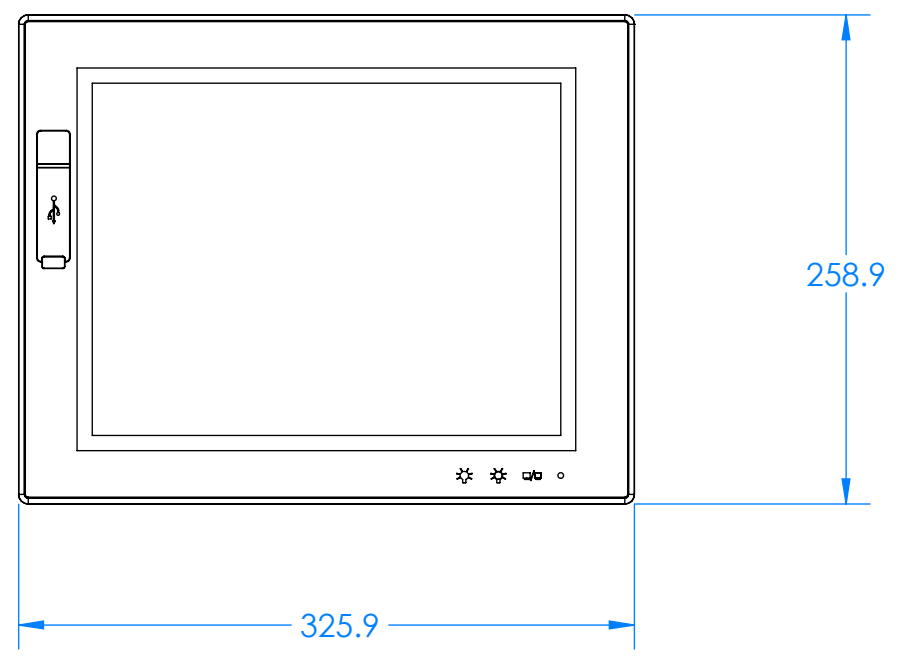
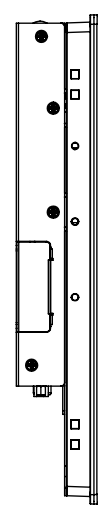


8 7 6 5 4 3 2 1

D

D

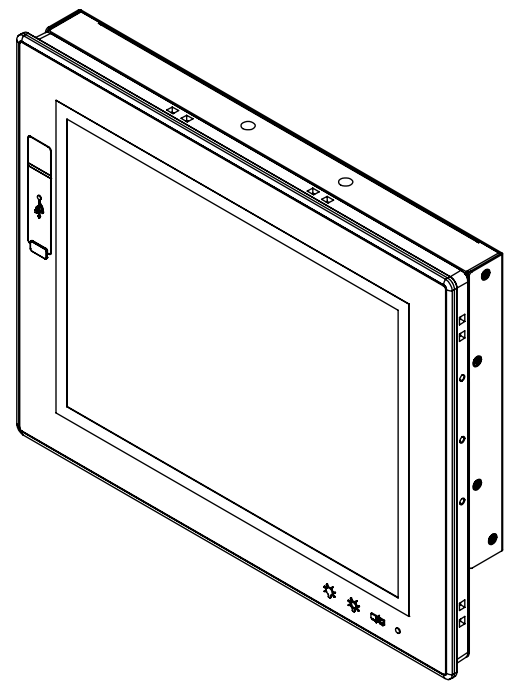
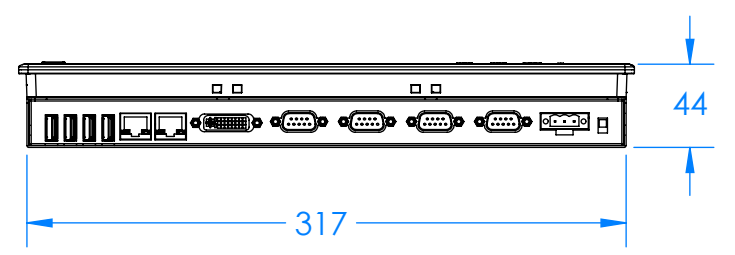


C

C

B

B



A

A

 **TELEDYNE DALSA**
Everywhereyoulook™

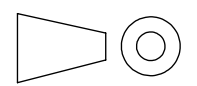
700 Technology Park Drive
Billerica, MA 01821, USA
T: 978 670 2000 F: 978 670 2010

UNLESS OTHERWISE SPECIFIED:
DIMENSIONS ARE IN MM
TOLERANCES:
ANGULAR: ± 0.5 degrees
DECIMAL .X: ±0.15
.XX: ±0.05

GV 312 T Geva Touch

USE AND DISCLOSURE OF DATA:
The information contained herein is classified as EAR99 under the U.S. Export Administration Regulations. Export, reexport or diversion contrary to U.S. law is prohibited.

THIRD ANGLE PROJECTION



SIZE **B**

DWG. NO.

REV **A1**

DRAWN: 8/12/14

SCALE: 1:4

SHEET 1 OF 1

8 7 6 5 4 3 2 1