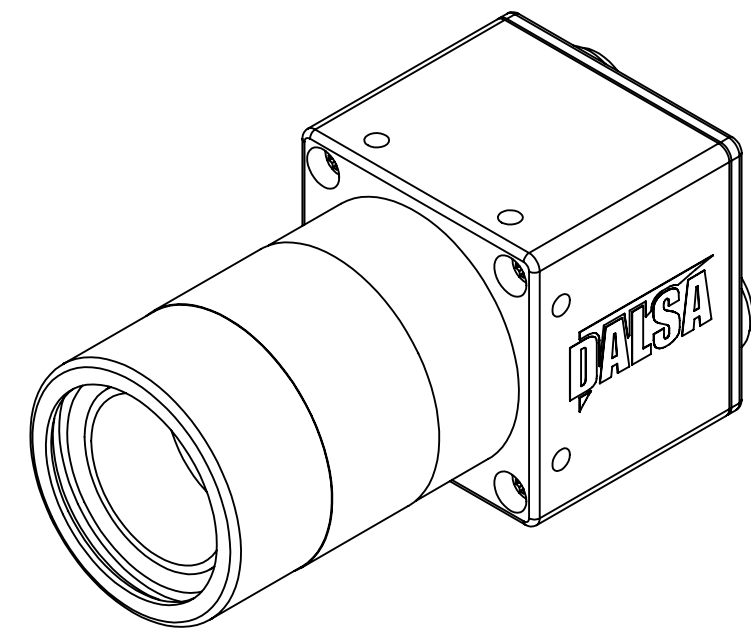
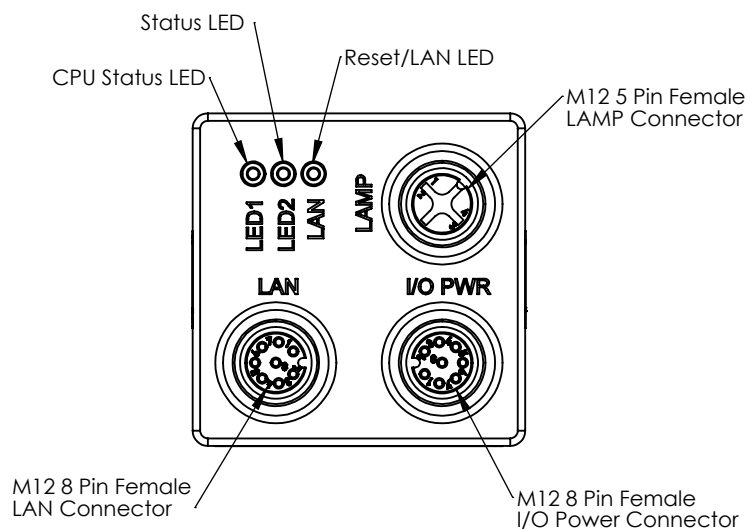
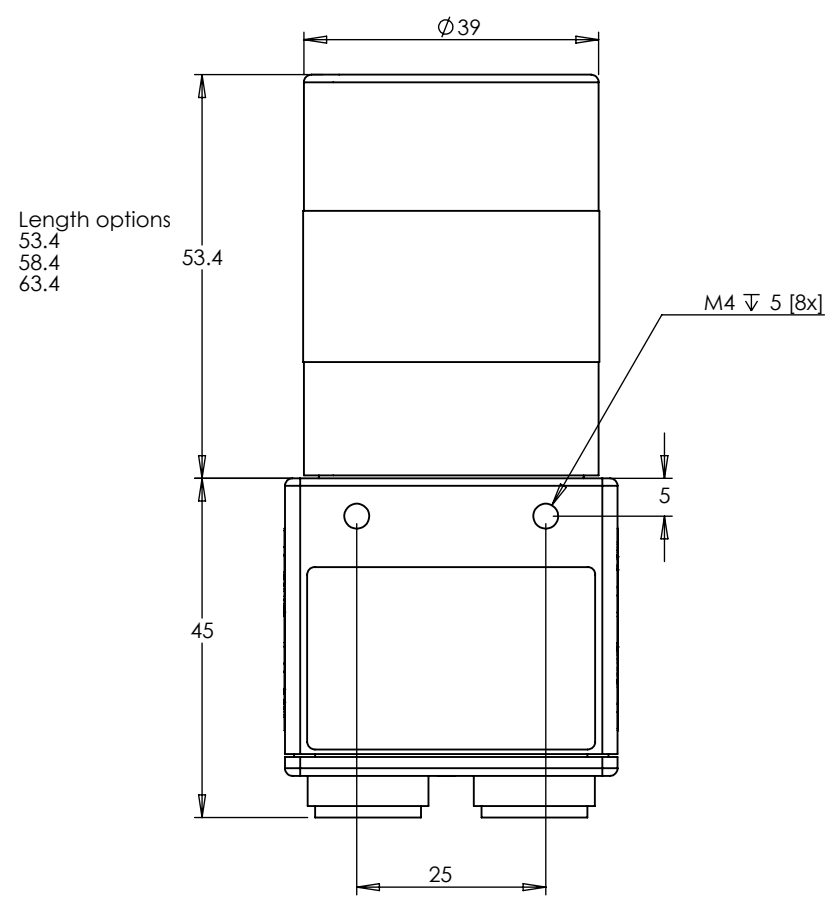
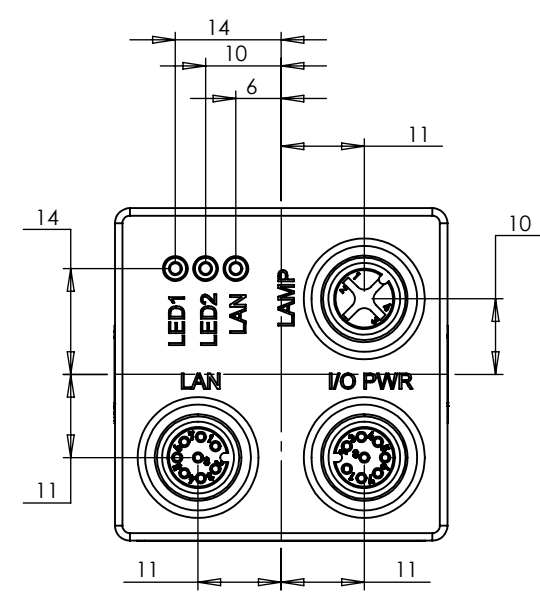
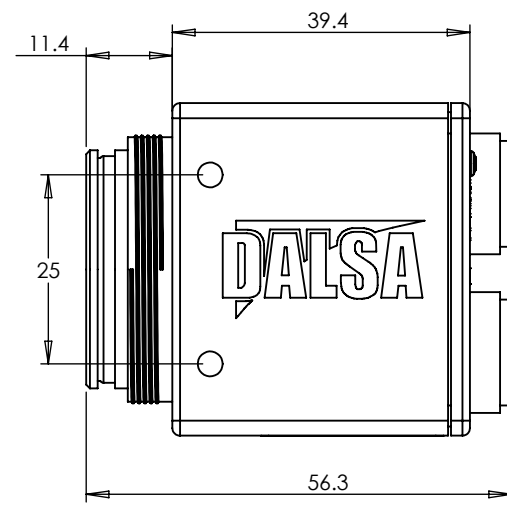
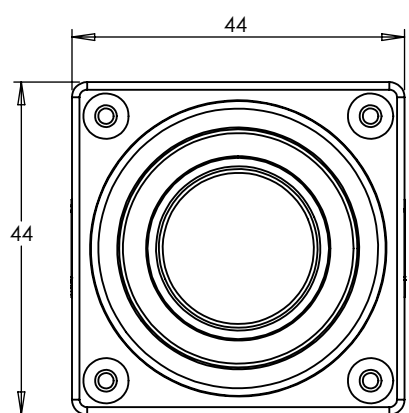


REVISIONS				
ZONE	REV.	DESCRIPTION	DATE	APPROVED
	A0	First Drawn		
	A1	Lens Cover Option Added	10/2/09	



SHOWN WITH LENS COVER

**PROPRIETARY AND CONFIDENTIAL**  
 THE INFORMATION CONTAINED IN THIS DRAWING IS THE SOLE PROPERTY OF DALSA INC. ANY REPRODUCTION IN PART OR AS A WHOLE WITHOUT THE WRITTEN PERMISSION OF DALSA INC. IS PROHIBITED.

THIRD ANGLE PROJECTION		UNLESS OTHERWISE SPECIFIED: DIMENSIONS ARE IN mm TOLERANCES: FRACTIONAL: ± 1% ANGULAR: ± 0.5 degrees LINEAR: ± 0.5	NAME	DATE	700 Technology Prk Drive Billerica, MA 01821, USA T: 978 670 2000 F: 978 670 2010 <b>TITLE:</b> <h1>BOA</h1> <h2>Outer Dims</h2>	
BOA	BOA	INTERPRET GEOMETRIC TOLERANCING PER: ASME Y14.5M-1994	DRAWN	SUA		10/5/09
NEXT ASSY	USED ON	MATERIAL	CHECKED			
APPLICATION	DO NOT SCALE DRAWING	FINISH	ENG APPR.			
			MFG APPR.			
			Q.A.			
			COMMENTS:	FOR REFERENCE ONLY		
			SIZE	DWG. NO.	REV	
			<b>B</b>	199-00012-00	<b>A1</b>	
			SCALE: 1:1		SHEET 1 OF 1	