

8 7 6 5 4 3 2 1

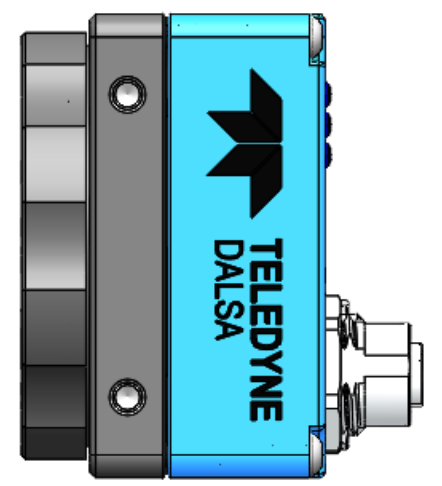
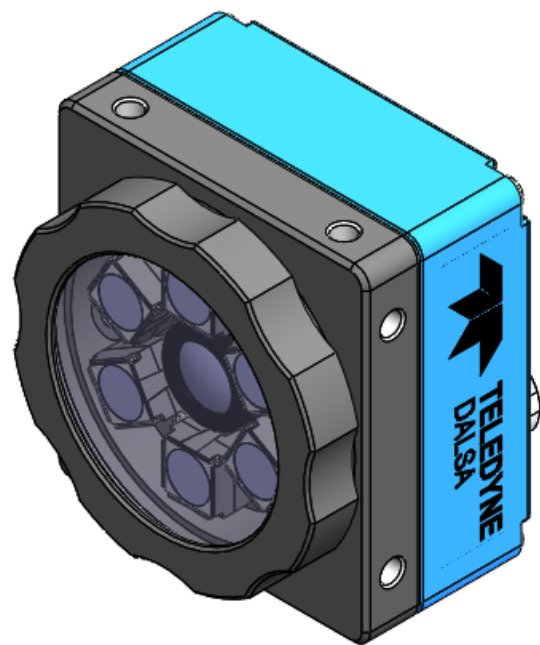
D
C
B
A

D
C
B
A

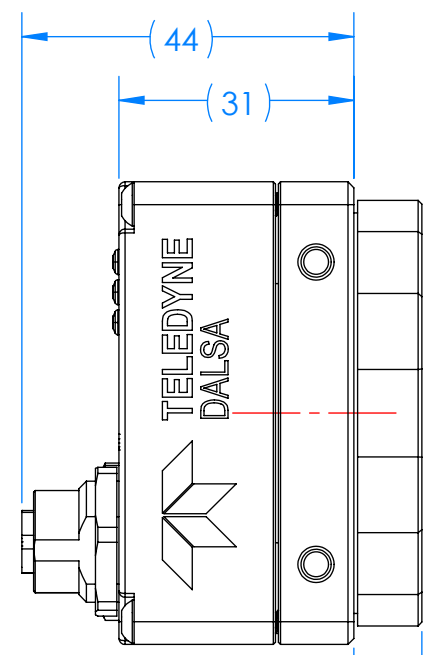
M4x0.7 ∇ 5(8X)
MOUNTING HOLE

5(2X)

40(2X)



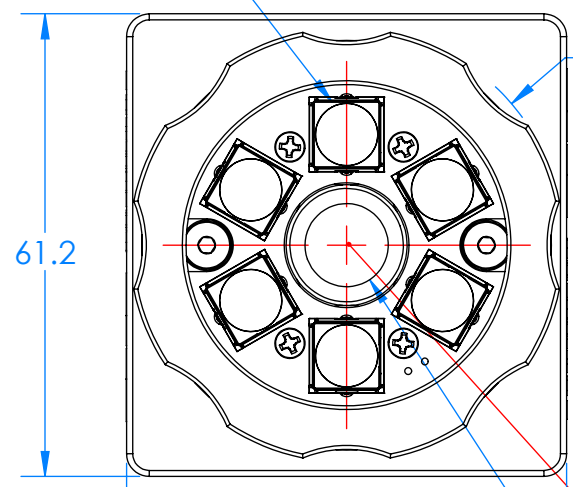
RING LIGHT OPTION



9 MIN
13 MAX

IP67 LENS CAP
TURN TO ADJUST FOCUS
M52x1 THREAD
MATERIAL: 6061-T6 ALUMINUM

IP67 ENCLOSURE
MATERIAL: 6061-T6 ALUMINUM



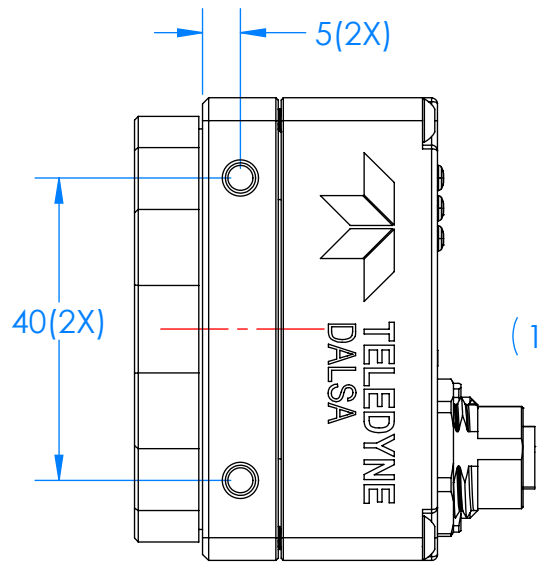
ϕ 57.5

61.2

58.2

OPTICAL CENTER

M12 LENS
USE ONLY BOA SPOT COMPATIBLE LENS

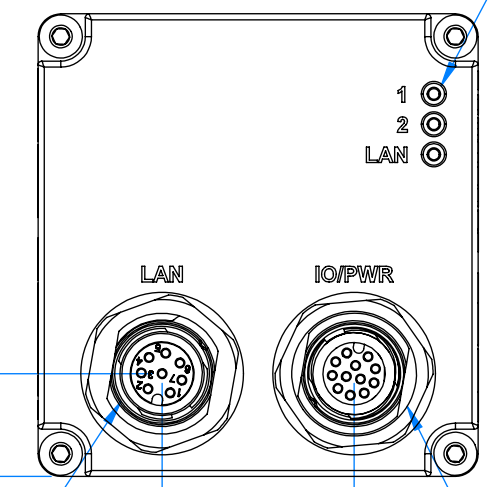


5(2X)

40(2X)

LAN
M12 CONNECTOR

(13.6)



STATUS LED(3X)

1
2
LAN

LAN

IO/PWR

IO/POWER
M12 CONNECTOR

(25.4)



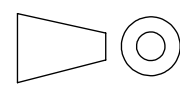
700 Technology Park Drive
Billerica, MA 01821, USA
T: 978 670 2000 F: 978 670 2010

UNLESS OTHERWISE SPECIFIED:
DIMENSIONS ARE IN MM
TOLERANCES:
ANGULAR: \pm 0.5 degrees
DECIMAL .X: \pm 0.15
.XX: \pm 0.05

BOA Spot
M12 LENS OPTION

USE AND DISCLOSURE OF DATA:
The information contained herein is classified as EAR99 under the U.S. Export Administration Regulations. Export, reexport or diversion contrary to U.S. law is prohibited.

THIRD ANGLE
PROJECTION



SIZE
B

DWG. NO.

REV
00

DRAWN: JAN 2016

SCALE: 1:1

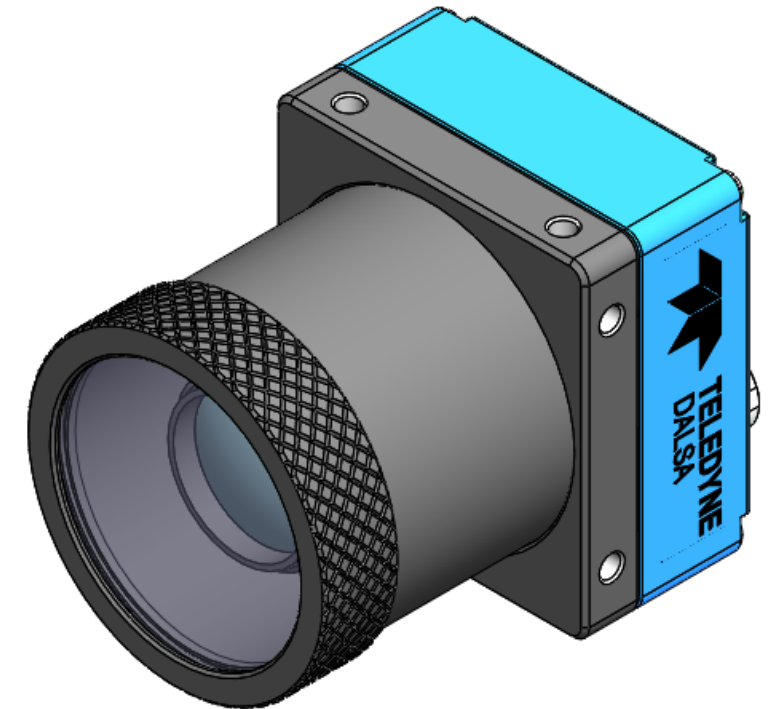
SHEET 1 OF 2

8 7 6 5 4 3 2 1

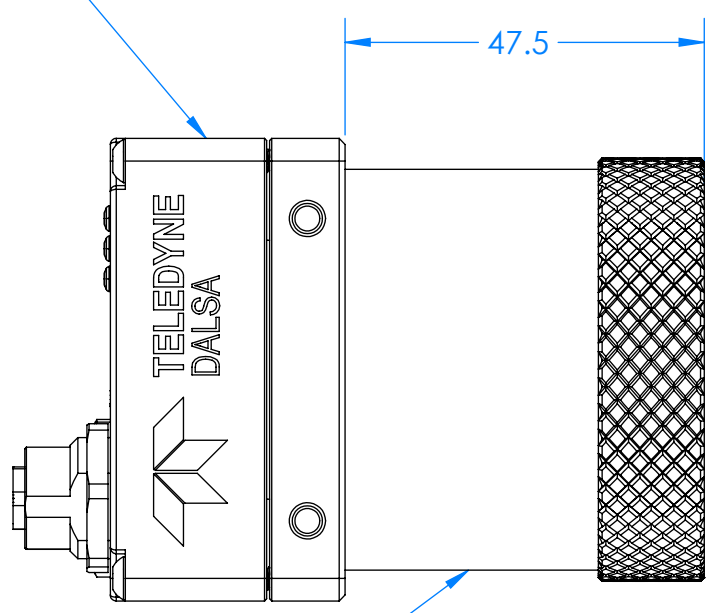
8 7 6 5 4 3 2 1

D
C
B
A

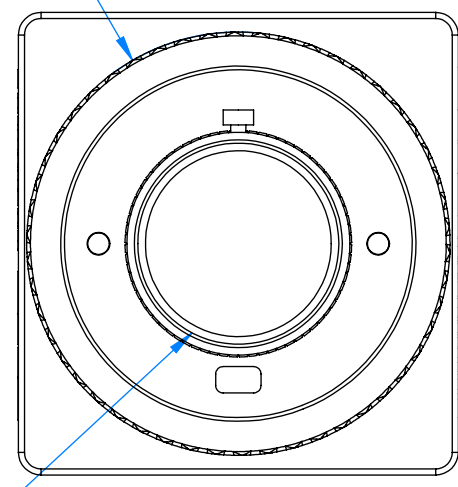
D
C
B
A



IP67 ENCLOSURE
SAME AS M12 LENS OPTION



Ø56



IP67 C-MOUNT LENS COVER
M52X1 THREAD
MATERIAL: 6061-T6 ALUMINUM

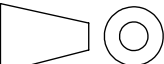
C-MOUNT LENS MAX DIMENSIONS
LENGTH W/ FILTER: 45MM
DIAMETER W/ LOCKING SCREWS: 48MM

 **TELEDYNE DALSA**
Everywhereyoulook™
700 Technology Park Drive
Billerica, MA 01821, USA
T: 978 670 2000 F: 978 670 2010

UNLESS OTHERWISE SPECIFIED:
DIMENSIONS ARE IN MM
TOLERANCES:
ANGULAR: ± 0.5 degrees
DECIMAL .X: ±0.15
.XX: ±0.05

BOA Spot
C-MOUNT LENS OPTION

USE AND DISCLOSURE OF DATA:
The information contained herein is classified as EAR99 under the U.S. Export Administration Regulations. Export, reexport or diversion contrary to U.S. law is prohibited.

THIRD ANGLE PROJECTION 

SIZE **B** DWG. NO. REV **00**

DRAWN: JAN 2016 SCALE: 1:1 SHEET 2 OF 2

8 7 6 5 4 3 2 1