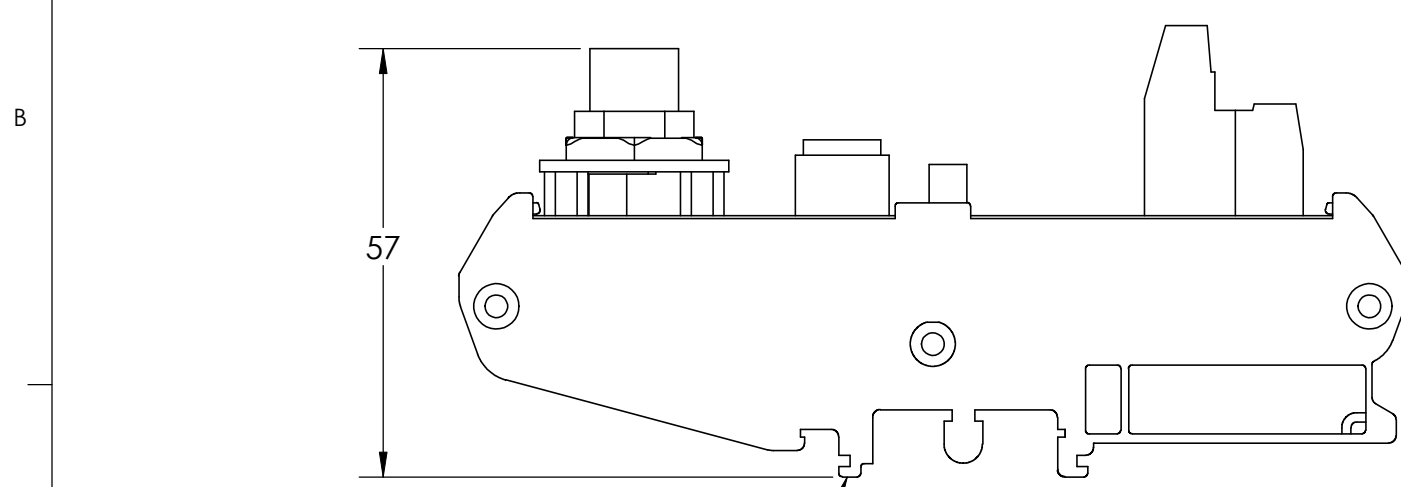
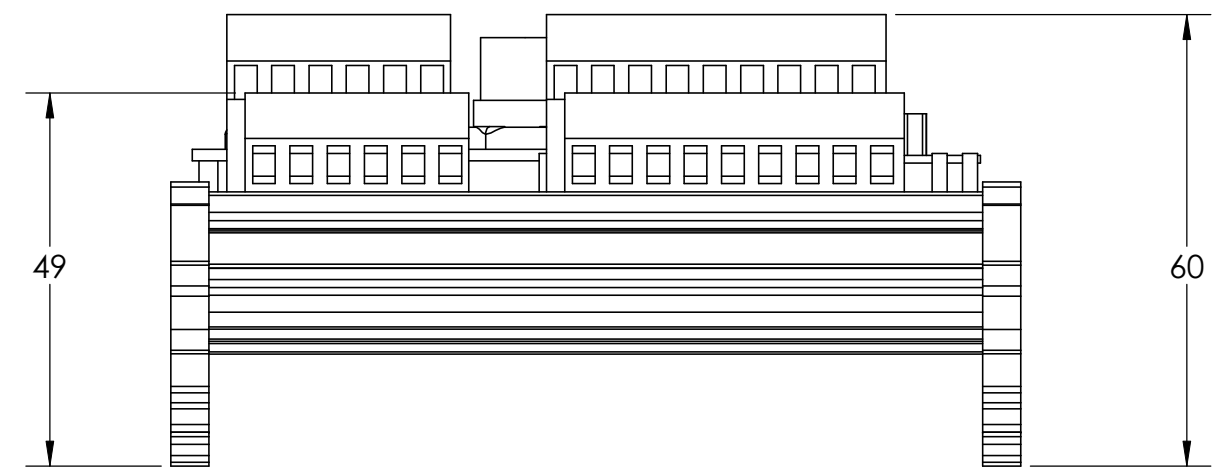


SCALE 1:2



DIN Mount
NS 32, NS 35/7.5



PROPRIETARY AND CONFIDENTIAL
THE INFORMATION CONTAINED IN THIS DRAWING IS THE SOLE PROPERTY OF DALSA INC. ANY REPRODUCTION IN PART OR AS A WHOLE WITHOUT THE WRITTEN PERMISSION OF DALSA INC. IS PROHIBITED.

THIRD ANGLE PROJECTION		UNLESS OTHERWISE SPECIFIED: DIMENSIONS ARE IN mm TOLERANCES: FRACTIONAL ± 1% ANGULAR: ± 0.5 degrees ONE PLACE DECIMAL ±0.05 TWO PLACE DECIMAL ±0.01		NAME	DATE	DALSA 700 Technology Park Drive Billerica, MA 01821, USA T: 978 670 2000 F:978 670 2010 TITLE: <h1>BOA</h1> PL-200 I/O Expansion
		DRAWN	SJC	3/28/11		
		CHECKED				
		ENG APPR.				
		MFG APPR.				
		GEOMETRIC TOLERANCING PER: ASME Y14.5M-1994		Q.A.		
		MATERIAL		COMMENTS: FOR REFERENCE ONLY		
NEXT ASSY	USED ON	FINISH				
APPLICATION		DO NOT SCALE DRAWING				
		SIZE	DWG. NO.	REV		
		B		A1		
		SCALE: 1:1		SHEET 1 OF 1		