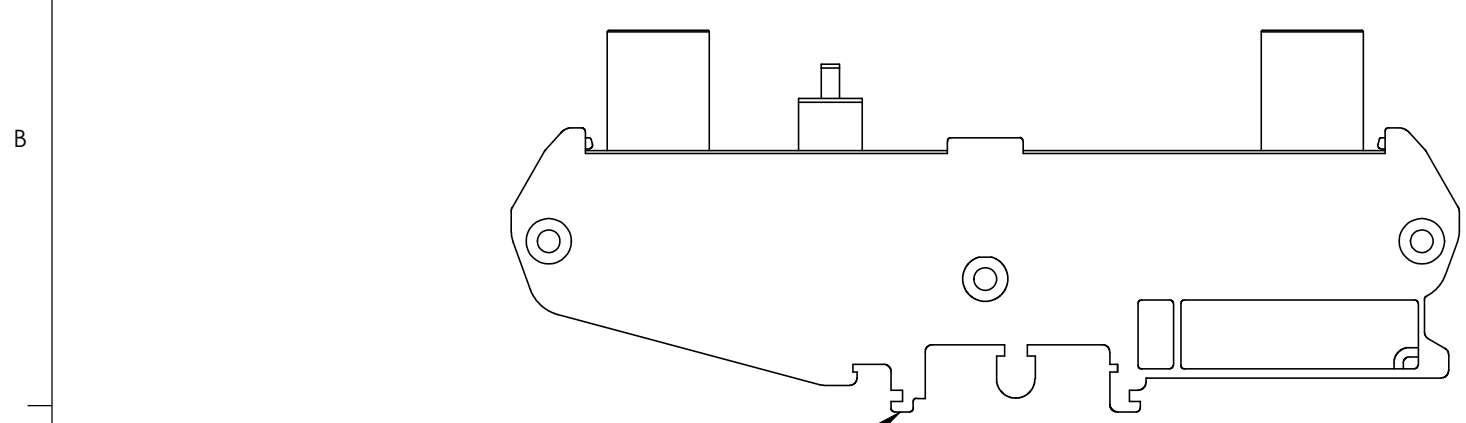
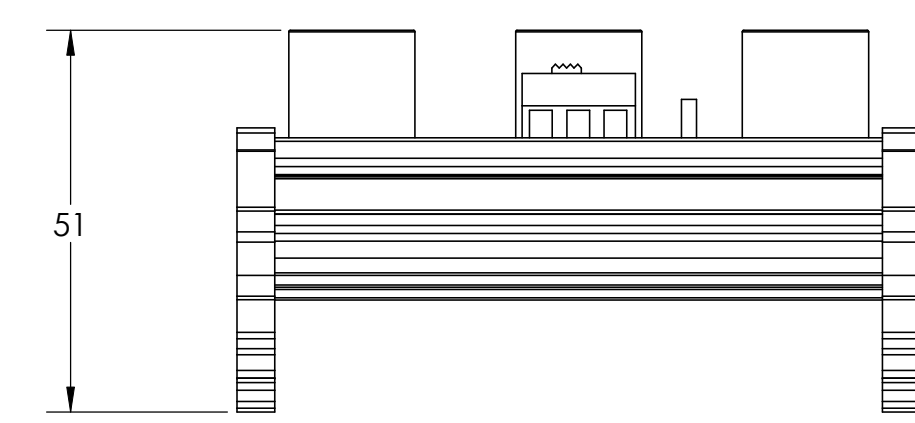


SCALE 1:2



DIN Mount
NS 32, NS 35/7.5



PROPRIETARY AND CONFIDENTIAL
THE INFORMATION CONTAINED IN THIS DRAWING IS THE SOLE PROPERTY OF DALSA INC. ANY REPRODUCTION IN PART OR AS A WHOLE WITHOUT THE WRITTEN PERMISSION OF DALSA INC. IS PROHIBITED.

THIRD ANGLE PROJECTION	UNLESS OTHERWISE SPECIFIED: DIMENSIONS ARE IN mm TOLERANCES: FRACTIONAL ± 1% ANGULAR: ± 0.5 degrees ONE PLACE DECIMAL ±0.05 TWO PLACE DECIMAL ±0.01	NAME	DATE	DALSA 700 Technology Park Drive Billerica, MA 01821, USA T: 978 670 2000 F:978 670 2010
		DRAWN	SJC 3/28/11	
		CHECKED		TITLE: BOA PL-200 Ethernet Switch
		ENG APPR.		
		MFG APPR.		SIZE B DWG. NO. REV A1
NEXT ASSY	USED ON	Q.A.		
APPLICATION		COMMENTS: FOR REFERENCE ONLY		SCALE: 1:1
	DO NOT SCALE DRAWING			SHEET 1 OF 1