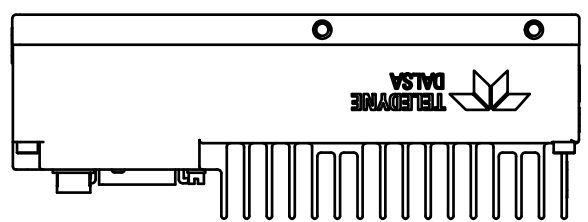
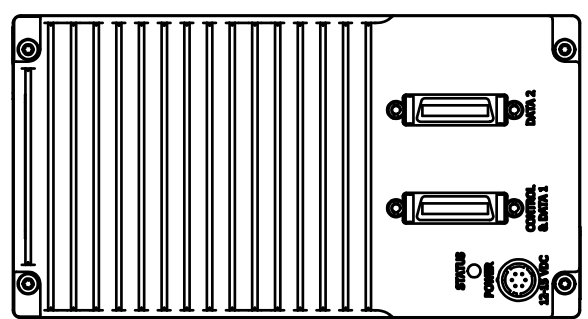
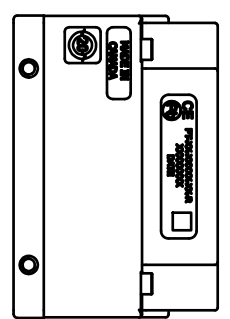
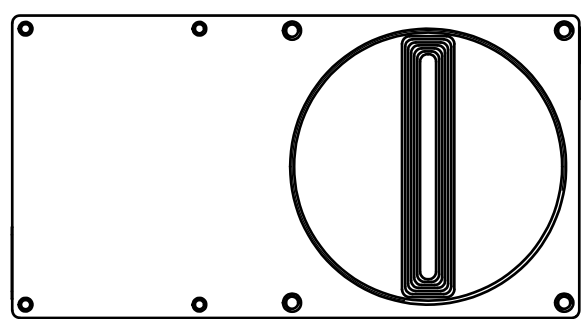
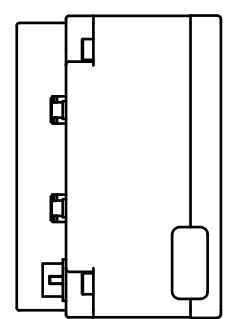
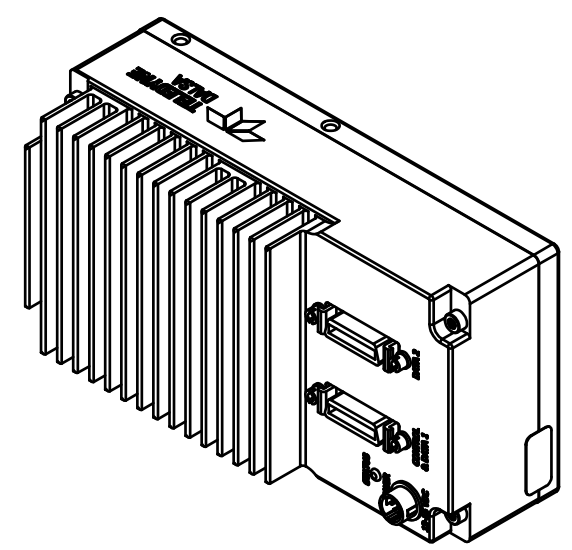
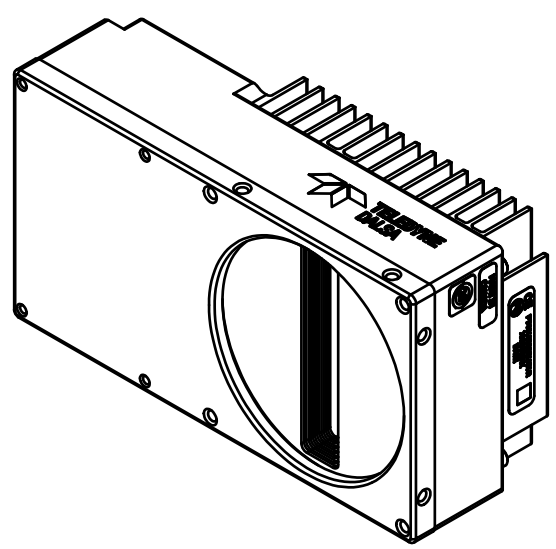
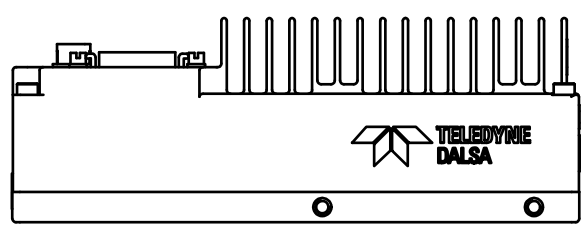
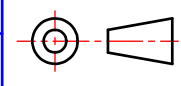



REV	DESCRIPTION	DATE	DWN. BY
-----	-------------	------	---------



UNLESS OTHERWISE SPECIFIED 1. UNITS: MM 2. DRAWING PER ASME Y14.5M-1994 3. TOLERANCES: LINEAR ±0.15 ANGLES ±0.5° SURFACE FINISH 3.2/	APPROVALS	DATE	 THIRD ANGLE PROJECTION		605 McMurray Road Waterloo, ON CANADA, N2V 2E9 Phone: (519) 886-6000 Fax: (519) 886-8023 Website: www.dalsa.com
	AUTHOR B.LIU	JUL 11/2011			
	APPROVED BY		TITLE USER 3D MODEL		
APPLICATION/PROJECT MACH 5	DWG NO. 03-129-20042	SCALE NTS VALID WHEN PRINTED ON B SIZE PAPER	REV 00		
PROPRIETARY	PART NO.	SHEET 1 OF 1	SIZE B		
<small>THIS DOCUMENT AND THE INFORMATION IT CONTAINS ARE PROPRIETARY TO DALSA INC. THIS DOCUMENT MUST NOT BE DUPLICATED, OR ITS CONTENT USED OR DISCLOSED (IN WHOLE OR IN PART) WITHOUT PERMISSION FROM DALSA INC.</small>					