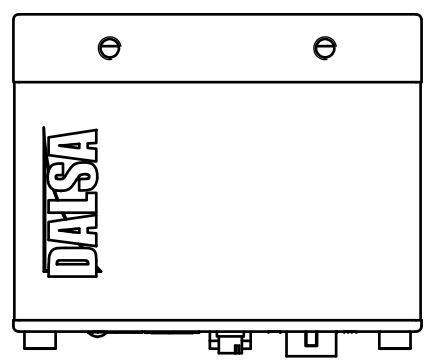
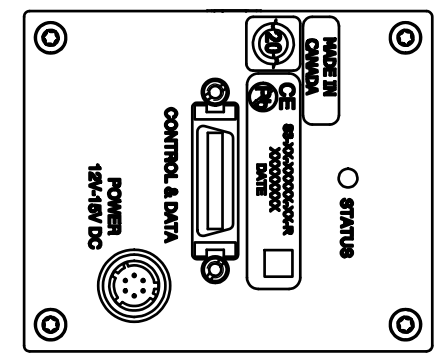
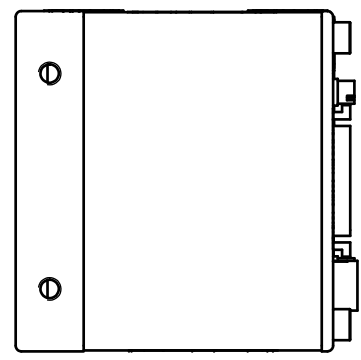
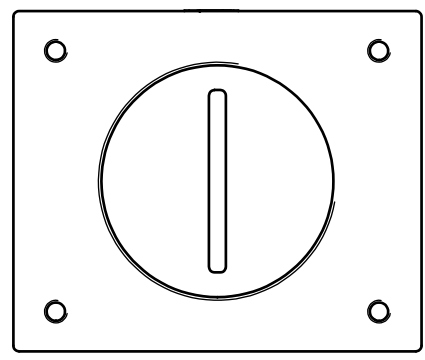
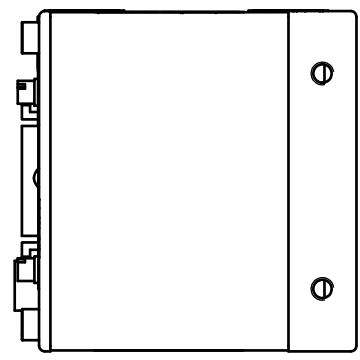
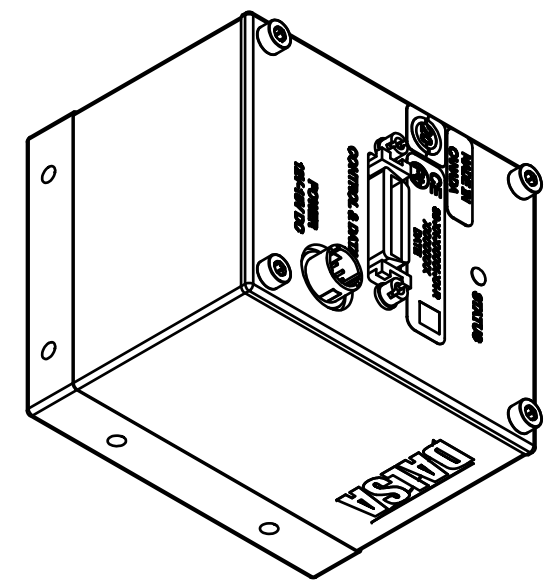
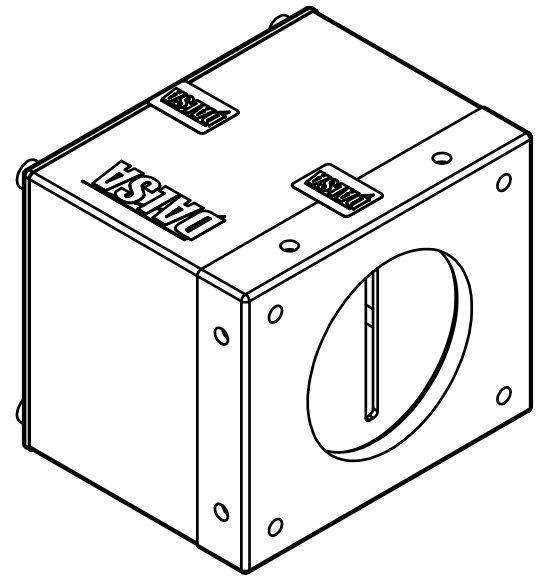
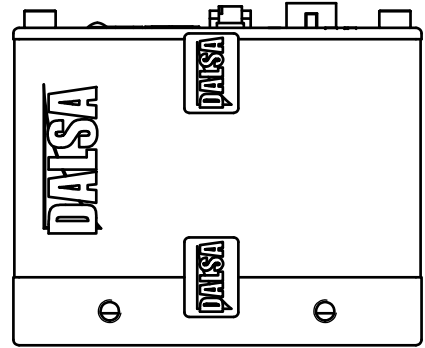
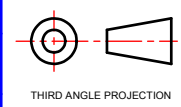



REV	DESCRIPTION	DATE	DWN. BY
00	INITIAL RELEASE	OCT 27/2010	AJD



UNLESS OTHERWISE SPECIFIED 1. UNITS: MM 2. DRAWING PER ASME Y14.5M-1994 3. TOLERANCES: LINEAR ±0.15 ANGLES ±0.5° SURFACE FINISH 3.2/	APPROVALS	DATE	 THIRD ANGLE PROJECTION	 605 McMurray Road Waterloo, ON CANADA, N2V 2E9 Phone: (519) 886-6000 Fax: (519) 886-8023 Website: www.dalsa.com
	AUTHOR A.DODDS	OCT 27/2010		
	APPROVED BY	APPLICATION/PROJECT SPYDER3		TITLE SPYDER 3 CL 2K USER 3D DRAWING
	PROPRIETARY <small>THIS DOCUMENT AND THE INFORMATION IT CONTAINS ARE PROPRIETARY TO DALSA INC. THIS DOCUMENT MUST NOT BE DUPLICATED, OR ITS CONTENT USED OR DISCLOSED (IN WHOLE OR IN PART) WITHOUT PERMISSION FROM DALSA INC.</small>		DWG NO. 03-014-20369	SCALE NTS VALID WHEN PRINTED ON B SIZE PAPER
		PART NO.	SHEET 1 OF 1	SIZE B